

Technical Data Sheet

AIDA Enzo Berti Designer

Piano bench with pneumatic lifting system.



Materials

Steel structure in sandblasted black, Stabilus lifting pump

Seat with high density sponge, padding and covering in real leather, eco-leather or fabric, with color on request

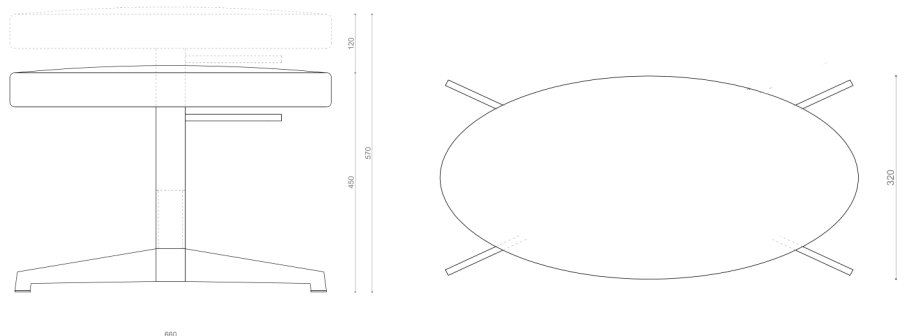
Lifting system

Pump

Dimensions

66 x 32 cm x h. 45 - 57 cm

25,98" x 12,61" x h. 17,72" - 22,44"



Weight

14 kg - 30,87 lb

Cleaning

For daily maintenance we recommend to remove dust only with dry "dust catcher" cloths.